

9500LB 12V ELECTRIC WINCH SPOOLED WITH **SYNTHETIC ROPE**

Dyneema[®] SK-75 Fibre

**Wireless
Remote
Control
Model**



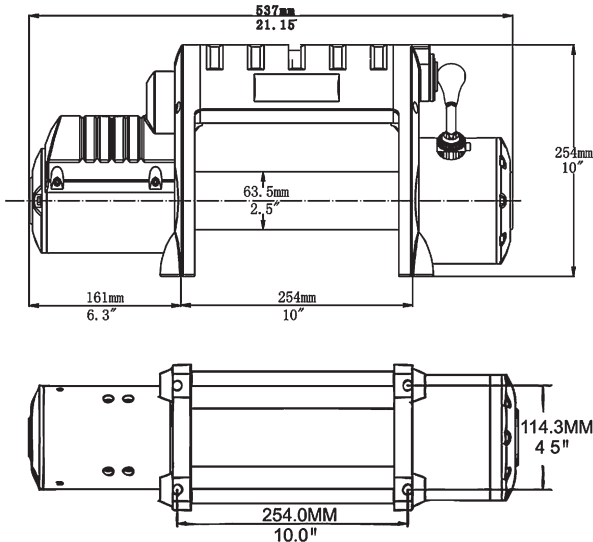
**Steel Encased
Wireless
Remote Control**
built into winch bridge
with Integrated Solenoid
Module (ISM).



**Performance
SERIES**

TMAEWI-9500PRCR Features & Specifications:

| | |
|---|---|
| Rated Line Pull | 9500Lb (4305Kg) Single Line |
| Motor | 6.6Hp 12V Series Wound; 6.6Hp 24V Series Wound |
| Control | Wireless Remote Multi-Control |
| Gear Train | 3 Stage Planetary |
| Gear Ratio | 218:1 |
| Clutch | Sliding Ring Gear |
| Braking | Automatic In-The-Drum |
| Drum Size | Diameter x Length 2.52" x 8.82" (64mm x 224mm) |
| Synthetic Rope Dyneema [®] SK-75 Fibre | Diameter x Length 3/8" x 94' (9.4mm x 28m) |
| Recommended Battery | 650CCA Minimum for Winching |
| Battery Leads | 2 Gauge, 72" (1.8m) |
| Weight | 65Lb (29.5kg) |
| Overall Dimensions | (LxWxH) 21.15" x 6.3" x 10.0" (537 x 160 x 254mm) |
| Mounting Bolt Pattern | 10.00±0.0151N x 4.50±0.01N (254 x 114.3mm) |
| Fairlead | Aluminium Hawse Fairlead |
| Finish | Gun Metal Grey |



TMAEWI-9500PRCR Line Pull & Cable Capacity

| Layer of Cable | 1 | 2 | 3 | 4 |
|----------------|----------|------|------|------|
| Rated Line | Lbs 9500 | 8435 | 7640 | 7086 |
| Pull per Layer | Kg 4305 | 3822 | 3460 | 3212 |
| Cumulative | Ft 16 | 42 | 72 | 94 |
| Cable capacity | m 5 | 12 | 21 | 28 |

Line Speed & Amp Draw-First Layer

| Line Pull | Lbs | NO | 2000 | 4000 | 6000 | 8000 | 9500 | |
|---------------|--------|------------|-------------|-------------|-------------|-------------|------------|------------|
| | Kg | LOAD | 906 | 1813 | 2719 | 3626 | 4530 | |
| Line Speed | ft/min | 12V | 28.7 | 16.5 | 12.6 | 9.4 | 8.8 | 6.9 |
| | ft/min | 24V | 32.8 | 17.3 | 14.1 | 10.7 | 9.5 | 8.0 |
| | m/min | 12V | 8.7 | 5.0 | 3.8 | 2.9 | 2.7 | 2.0 |
| | m/min | 24V | 10.0 | 5.3 | 4.3 | 3.3 | 2.9 | 2.4 |
| Motor Current | Amps | 12V | 65 | 140 | 210 | 285 | 360 | 405 |
| | Amps | 24V | 45 | 80 | 120 | 155 | 180 | 200 |

ALSO AVAILABLE AS

24 Volt • TMAEWI-9500PRCR-24V