

9000LB 12V ELECTRIC WINCH SPOOLED WITH **SYNTHETIC ROPE**

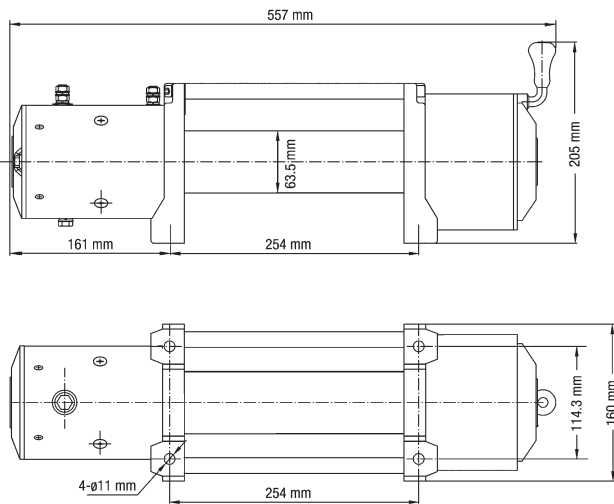
Dyneema[®] SK-75 Fibre



Performance
SERIES

TMAEW9000PR Features & Specifications:

Rated Line Pull	9000Lb (4080Kg) Single Line
Motor	6.6Hp 12V, Series Wound
Control	Remote Switch with 12' (3.7m) Lead
Solenoid Style	Integrated Solenoid Module (ISM)
Gear Train	3 Stage Planetary
Gear Ratio	172.8:1
Clutch	Shift Pin Ring Gear
Braking	Automatic In-The-Drum
Drum Size	Diameter x Length 2.52" x 8.82" (64mm x 224mm)
Synthetic Rope	Dyneema [®] SK-75 Fibre Diameter x Length 23/64" x 100' (9.1mm x 30m)
Recommended Battery	650CCA Minimum for Winching
Battery Leads	25mm ² , 72" (1.83m)
Weight	59.5Lb (27kg)
Overall Dimensions	(LxWxH) 22" x 6.3" x 8.1" (557 x 160 x 205mm)
Mounting Bolt Pattern	10.00±0.0151N x 4.50±0.01N (254 x 114.3mm)
Fairlead	Aluminium Hawse Fairlead
Finish	Gun Metal Grey



TMAEW9000PR Line Pull & Cable Capacity

Layer of Cable		1	2	3	4
Rated Line	Lbs	9000	7432	6730	6245
Pull per Layer	Kg	4090	3370	3050	2830
Cumulative	Ft	16	42	72	94
Cable capacity	m	5	12	21	28

Line Speed & Amp Draw-First Layer

Line Pull	Lbs	NO	2000	4000	6000	8000	9000	
	Kg	LOAD	906	1814	2720	3630	4080	
Line Speed	ft/min	12V	37.2	18.0	13.1	10.2	8.2	7.6
	m/min	12V	11.4	5.5	4.0	3.1	2.5	2.3
Motor Current	Amps	12V	70	190	260	335	410	425