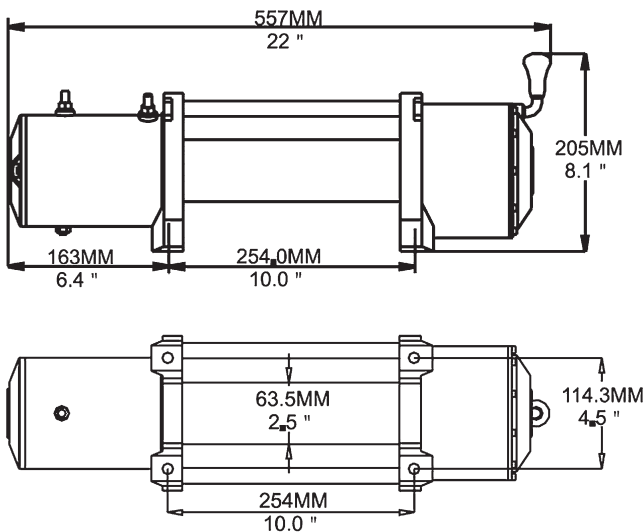


## 8500LB 12V ELECTRIC WINCH SPOOLED WITH WIRE CABLE



### TMAEW8500 Features & Specifications:

Rated Line Pull	8500Lb (3850Kg) Single Line
Motor	6.6Hp 12V, Series Wound; 6Hp 24V Series Wound
Control	Remote Switch with 12' (3.7m) Lead
Solenoid Style	Integrated Solenoid Module (ISM)
Gear Train	3 Stage Planetary
Gear Ratio	172.8:1
Clutch	Shift Pin Ring Gear
Braking	Automatic In-The-Drum
Drum Size	Diameter x Length 2.52" x 8.82" (64mm x 224mm)
Wire Cable	Diameter x Length 21/64" x 94' (8.2mm x 28.5m)
Recommended Battery	650CCA Minimum for Winching
Battery Leads	25mm <sup>2</sup> , 72" (1.83m)
Weight	80.5Lb (36.5kg)
Overall Dimensions	(LxWxH) 22" x 6.3" x 8.1" (557 x 160 x 205mm)
Mounting Bolt Pattern	10.00±0.0151N x 4.50±0.01N (254 x 114.3mm)
Fairlead	4-Way Roller Fairlead
Finish	Gun Metal Grey

### TMAEW8500 Line Pull & Cable Capacity

Layer of Cable	1	2	3	4
Rated Line	Lbs 8500	7432	6730	6245
Pull per Layer	Kg 3850	3370	3050	2830
Cumulative	Ft 16	42	72	94
Cable capacity	m 5	12	21	28

### Line Speed & Amp Draw-First Layer

Line Pull	Lbs	NO LOAD	2000	4000	6000	8000	8500
	Kg		906	1814	2720	3630	3850
Line Speed	ft/min 12V	37.2	18.0	13.1	10.2	8.2	7.2
	ft/min 24V	46.0	22.0	18.0	14.4	10.5	9.5
	m/min 12V	11.4	5.5	4.0	3.1	2.5	2.2
	m/min 24V	14.0	6.7	5.5	4.4	3.2	2.9
Motor Current	Amps 12V	70	190	260	335	410	425
	Amps 24V	45	90	135	165	200	215

ALSO AVAILABLE AS

**24 Volt • TMAEW8500-24V**