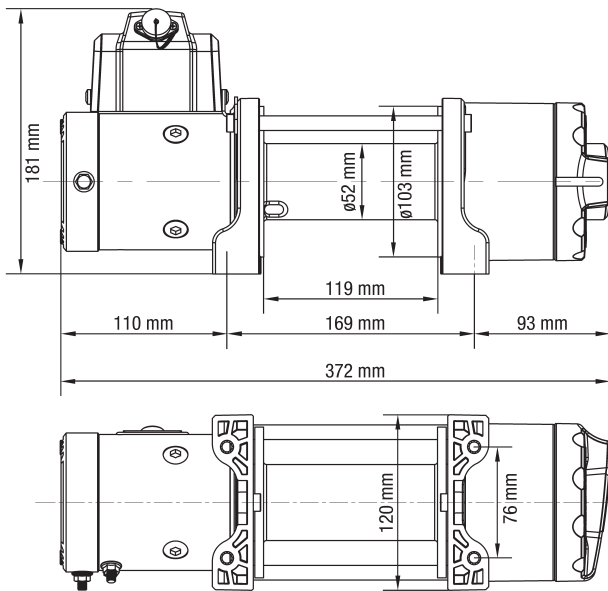


4500LB 12V ELECTRIC WINCH SPOOLED WITH WIRE CABLE



TMAEW4500PRO Features & Specifications:

Rated Line Pull	4500Lb (2040Kg) Single Line
Motor	12V DC 1.0KW, Series Wound
Control	Remote Control Included
Gear Ratio	189:1
Clutch	Turn 90° By Handwheel
Braking	EBT (Eccentric Block Type)
Drum Size	Diameter x Length 2.0" x 4.7" (52mm x 119mm)
Wire Cable	Diameter x Length 3/13" x 59' (6mm x 18m)
Recommended Battery	650CCA Minimum for Winching
Weight	31Lb (14.5kg)
Overall Dimensions	(LxWxH) 14.6" x 4.7" x 7.1" (372 x 120 x 181mm)
Mounting Bolt Pattern	3" x 6.65" (76 x 169mm)
Torque Limited	4500±200Lbs
Fairlead	Roller Fairlead

TMAEW4500PRO Line Pull & Cable Capacity

Layer of Cable	1	2	3	4
Rated Line	Lbs 4500	3728	3180	2775
Pull per Layer	Kg 2040	1690	1445	1260
Cumulative	Ft 11	25	41	59
Cable capacity	m 3.4	7.6	12.5	18

Line Speed & Amp Draw-First Layer

Line Pull	Lbs	NO	1000	2000	3000	4000	4500
	Kg	LOAD	454	907	1360	1814	2040
Line Speed	ft/min	18	13.1	10.3	7.9	6.7	5.7
	m/min	5.5	4.0	3.1	2.4	2.0	1.8
Motor Current	Amps	41	79	122	153	170	190