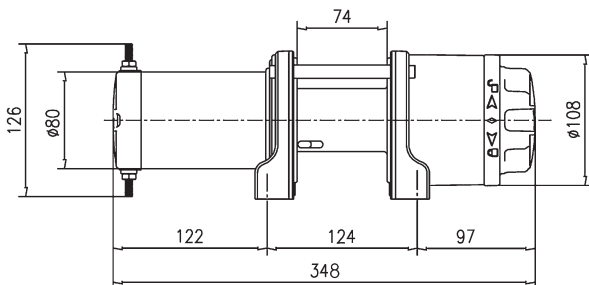
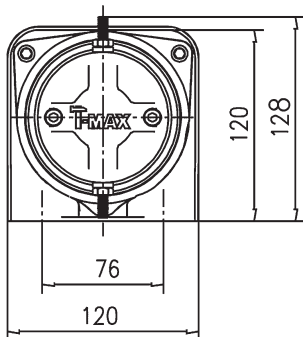


**3500LB 12V ELECTRIC WINCH** SPOOLED WITH **WIRE CABLE**



**•ATV•  
PRO  
SERIES**



**TMAEW3500PRO Features & Specifications:**

Rated Line Pull	3500Lb (1587Kg) Single Line
Motor	12V DC 0.8KW (Permanent Magnet)
Control	Remote Control Included
Gear Ratio	148:1
Clutch	Turn 90° By Handwheel
Braking	EBT (Eccentric Block Type)
Drum Size	Diameter x Length 2.0" x 2.9" (52mm x 74mm)
Wire Cable	Diameter x Length 3/16" x 50' (4.5mm x 15m)
Recommended Battery	650CCA Minimum for Winching
Weight	28.6Lb (13kg)
Overall Dimensions	(LxWxH) 13.5" x 4.7" x 5.1" (348 x 120 x 128mm)
Mounting Bolt Pattern	4.9" x 3" (124 x 76mm)
Fairlead	Roller Fairlead

**TMAEW3500PRO Line Pull & Cable Capacity**

Layer of Cable	1	2	3	4
Rated Line	Lbs 3500	2920	2540	2260
Pull per Layer	Kg 1589	1326	1153	1026
Cumulative	Ft 9.3	20.3	32.6	50.0
Cable capacity	m 2.8	6.1	9.8	15.0

**Line Speed & Amp Draw-First Layer**

Line Pull	Lbs	NO	1000	2000	3000	3500
	Kg	LOAD	454	907	1360	1587
Line Speed	ft/min	14.8	9.5	8.5	6.6	5.9
	m/min	4.5	2.9	2.6	2.4	1.8
Motor Current	Amps	25	79	122	160	200