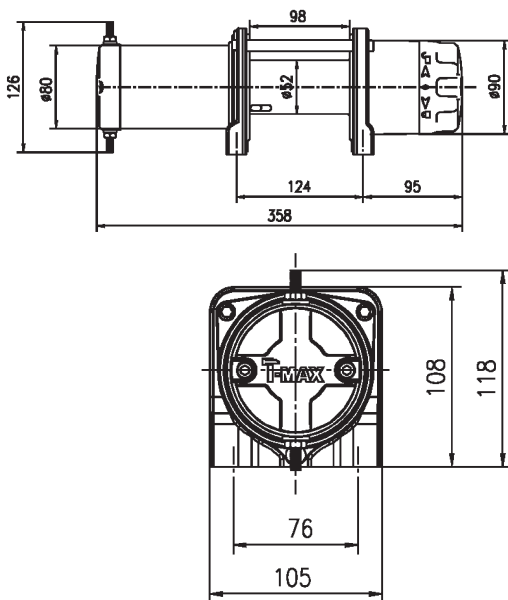


2500LB 12V ELECTRIC WINCH SPOOLED WITH SYNTHETIC ROPE

Dyneema[®] SK-75 Fibre



**•ATV•
PRO
SERIES**



TMAEW2500PROPR Features & Specifications:

Rated Line Pull	2500Lb (1135Kg) Soingle Line
Motor	12 V DC 0.5KW, Series Wound
Control	Remote Control Included
Gear Ratio	189:1
Clutch	Turn 90° By Handwheel
Braking	EBT (Eccentric Block Type)
Drum Size	Diameter x Length 2.0" x 3.7" (52mm x 95mm)
Synthetic Rope Dyneema [®] SK-75 Fibre	Diameter x Length 3/16" x 50' (4.7mm x 15m)
Recommended Battery	650CCA Minimum for Winching
Weight	17.6Lb (8kg)
Overall Dimensions	(LxWxH) 14.1" x 4.1" x 4.6" (358 x 105 x 118mm)
Mounting Bolt Pattern	4.88" x 3" (124 x 76mm)
Fairlead	Aluminium Hawse Fairlead

TMAEW2500PROPR Line Pull & Cable Capacity

Layer of Cable	1	2	3	4	5
Rated Line	Lbs 2500	2063	1756	1529	1354
Pull per Layer	Kg 1135	937	797	697	614
Cumulative	Ft 7.5	16.4	27.0	39.0	49.0
Cable capacity	m 2.3	5	8.3	12	15

Line Speed & Amp Draw-First Layer

Line Pull	Lbs	NO	1000	1500	2000	2500
	Kg	LOAD	454	680	908	1135
Line Speed	ft/min	17.5	12.8	10.5	7.6	5.2
	m/min	5.3	3.9	3.2	2.3	1.6
Motor Current	Amps	23	72	95	121	150