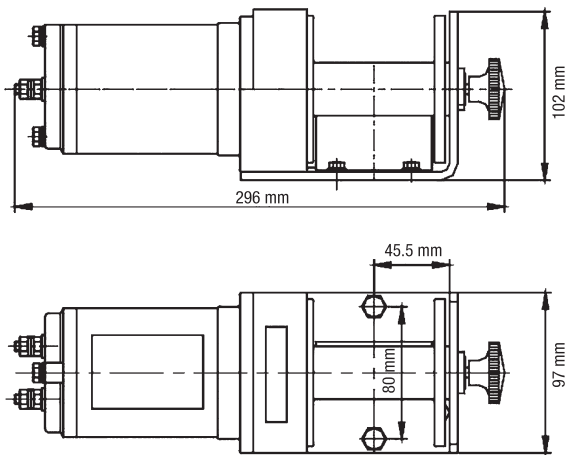


2000LB 12V ELECTRIC WINCH SPOOLED WITH **WIRE CABLE**



• ATV •
SERIES



TMAEW2000 Features & Specifications:

Rated Line Pull	2000Lb (906Kg) Single Line
Motor	12 V DC 0.85Hp, Permanent Magnet
Gear Ratio	153:1
Clutch	Spine Joint Clutch
Braking	No
Drum Size	Diameter x Length 2.88" x 1.24" (73mm x 31.5mm)
Wire Cable	Diameter x Length 5/32" x 49' (4.0mm x 15m)
Remote Control	Included
Weight	11Lb (5kg)
Overall Dimensions	(LxWxH) 11.65" x 3.82" x 4.1" (296 x 97 x 105mm)
Mounting Bolt Pattern	3.15" (80mm)
Fairlead	No

TMAEW2000 Line Pull & Cable Capacity

Layer of Cable	1	2	3	4	5	6
Rated Line	Lbs 2000	1630	1380	1190	1050	940
Pull per Layer	Kg 906	740	620	540	470	420
Cumulative	Ft 6.5	14.0	22.0	31.0	41.0	49.0
Cable capacity	m 2.0	4.3	6.8	9.5	12.5	15.0

Line Speed & Amp Draw-First Layer

Line Pull	Lbs	NO	500	1000	1500	2000
	Kg	LOAD	227	454	680	906
Line Speed	ft/min	10.5	9.2	7.5	5.9	4.2
	m/min	3.2	2.8	2.3	1.8	1.3
Motor Current	Amps	8	30	60	90	118