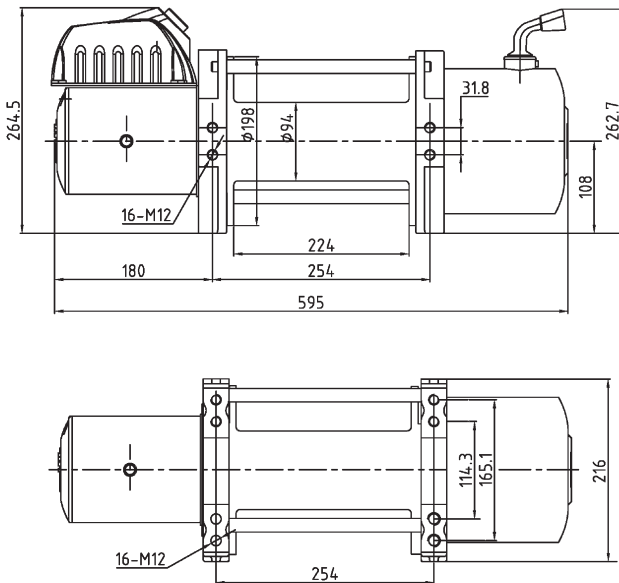


18500LB 12V ELECTRIC WINCH SPOOLED WITH **WIRE CABLE**



**OFF ROAD
SERIES**



TMAEW18500 Features & Specifications:

Rated Line Pull	18500Lb (8380Kg) Single Line
Motor	6.6Hp 12V Series Wound; 6.6Hp 24V Series Wound
Control	Remote Switch, 12' Lead (3.7m)
Gear Train	4 Stage Planetary
Gear Ratio	355:1
Clutch	Sliding Ring Gear
Braking	Automatic In-The-Drum
Drum Size	Diameter x Length 3.7" x 8.82" (94mm x 224mm)
Wire Cable	Diameter x Length 7/16" x 94' (11.5mm x 28.5m)
Recommended Battery	650CCA Minimum for Winching
Battery Leads	35mm ² , 72" (1.83m)
Weight	146Lb (66kg)
Overall Dimensions	(LxWxH) 23.8" x 8.5" x 10.3" (595 x 214 x 262mm)
Mounting Bolt Pattern	10.00±0.0151N x 4.50±0.01N (254 x 114.3mm)
Mounting Bolt Pattern	10.00±0.0151N x 6.50±0.01N (254 x 165.1mm)
Fairlead	4-Way Roller Fairlead
Finish	Gun Metal Grey

TMAEW18500 Line Pull & Cable Capacity

Layer of Cable	1	2	3	4
Rated Line	Lbs 18500	15305	13052	11380
Pull per Layer	Kg 8380	6936	5915	5157
Cumulative	Ft 22	48.5	78.7	93.48
Cable capacity	m 6.7	14.8	24	28.5

ALSO AVAILABLE AS

24 Volt • TMAEW18500-24V

Line Speed & Amp Draw-First Layer

Line Pull	Lbs	NO	3000	6000	9000	12000	15000	18500	
	Kg	LOAD	906	1814	2720	5440	6800	8380	
Line Speed	ft/min	12V	15.1	8.9	6.9	5.9	5.2	4.9	4.6
	ft/min	24V	16.4	9.5	7.5	6.9	5.6	5.2	4.6
	m/min	12V	4.6	2.7	2.1	1.8	1.6	1.5	1.4
	m/min	24V	5.0	2.9	2.3	2.1	1.7	1.6	1.4
Motor Current	Amps	12V	60	130	205	265	325	390	445
	Amps	24V	40	70	100	130	160	185	210