

12500LB 12V ELECTRIC WINCH SPOOLED WITH **SYNTHETIC ROPE**

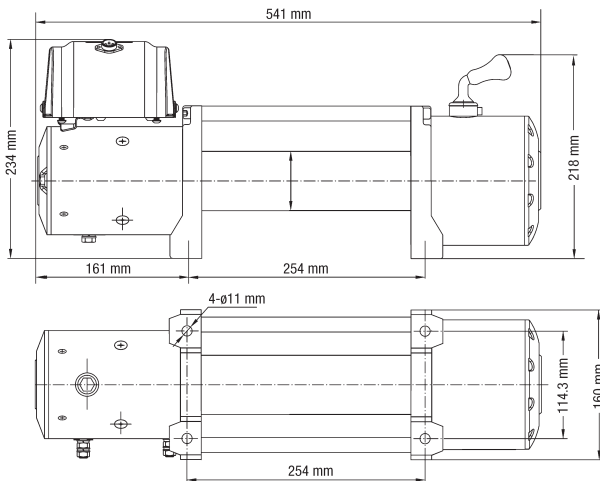
Dyneema[®] SK-75 Fibre



Performance
SERIES

TMAEW12500PR Features & Specifications:

Rated Line Pull	12500Lb (5665Kg) Single Line
Motor	6.6Hp 12V Series Wound; 6Hp 24V Series Wound
Control	Remote Switch, 12' Lead (3.7m)
Solenoid Style	Integrated Solenoid Module (ISM)
Gear Train	3 Stage Planetary
Gear Ratio	265:1
Clutch	Sliding Ring Gear
Braking	Automatic In-The-Drum
Drum Size	Diameter x Length 2.52" x 8.82" (64mm x 224mm)
Synthetic Rope Dyneema [®] SK-75 Fibre	Diameter x Length 7/16" x 89' (11mm x 27m)
Recommended Battery	650CCA Minimum for Winching
Battery Leads	25mm ² , 72" (1.83m)
Weight	75Lb (34kg)
Overall Dimensions	(LxWxH) 21.3" x 6.3" x 8.6" (541 x 160 x 218mm)
Mounting Bolt Pattern	10.00±0.0151N x 4.50±0.01N (254 x 114.3mm)
Fairlead	Aluminium Hawse Fairlead
Finish	Gun Metal Grey



TMAEW12500PR Line Pull & Cable Capacity

Layer of Cable	1	2	3	4
Rated Line	Lbs 12500	10700	9575	8800
Pull per Layer	Kg 5665	4850	4340	3790
Cumulative	Ft 16	42	72	94
Cable capacity	m 5	12	21	28

ALSO AVAILABLE AS

24 Volt • TMAEW12500PR-24V

Line Speed & Amp Draw-First Layer

Line Pull	Lbs	NO	2000	4000	6000	8000	10000	12000	12500	
	Kg	LOAD	906	1814	2720	3626	4532	5440	5665	
Line Speed	ft/min	12V	23.5	12.6	10.3	8.7	7.2	6.3	5.0	4.3
	ft/min	24V	26.4	15.1	13.1	10.9	9.7	8.3	7.2	6.9
	m/min	12V	7.2	3.9	3.2	2.7	2.2	1.9	1.5	1.3
	m/min	24V	8.0	4.6	4.0	3.3	3.0	2.5	2.2	2.1
Motor Current	Amps	12V	70	125	165	220	275	355	405	415
	Amps	24V	45	80	105	135	160	190	220	230