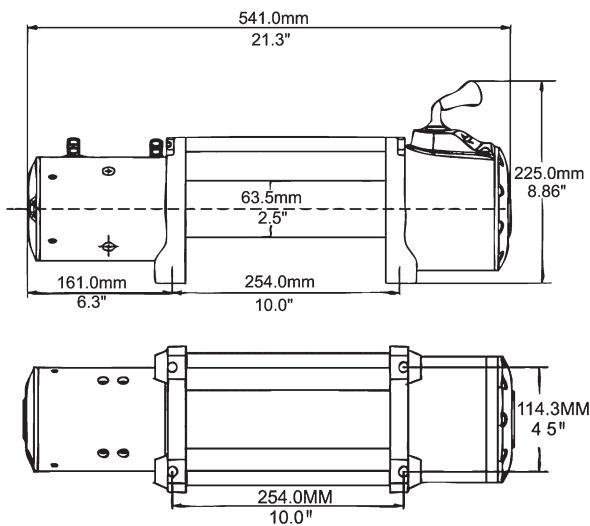


## 12500LB 12V ELECTRIC WINCH SPOOLED WITH SYNTHETIC ROPE

Dyneema® SK-75 Fibre

**Wireless Remote Control Model**



## Performance SERIES

### TMAEW12500PRCR Features & Specifications:

|                                     |                                                 |
|-------------------------------------|-------------------------------------------------|
| Rated Line Pull                     | 12500Lb (4985Kg) Single Line                    |
| Motor                               | 6.6Hp 12V Series Wound; 6Hp 24V Series Wound    |
| Control                             | Wireless Remote Multi-Control                   |
| Gear Train                          | 3 Stage Planetary                               |
| Gear Ratio                          | 218:1                                           |
| Clutch                              | Sliding Ring Gear                               |
| Braking                             | Automatic In-The-Drum                           |
| Drum Size                           | Diameter x Length 2.52" x 8.82" (64mm x 224mm)  |
| Synthetic Rope Dyneema® SK-75 Fibre | Diameter x Length 7/16" x 89' (11mm x 27m)      |
| Recommended Battery                 | 650CCA Minimum for Winching                     |
| Battery Leads                       | 25mm <sup>2</sup> , 72" (1.83m)                 |
| Weight                              | 75Lb (34kg)                                     |
| Overall Dimensions                  | (LxWxH) 21.3" x 6.3" x 8.6" (541 x 160 x 218mm) |
| Mounting Bolt Pattern               | 10.00±0.0151N x 4.50±0.01N (254 x 114.3mm)      |
| Fairlead                            | 4-Way Roller Fairlead                           |
| Finish                              | Gun Metal Grey                                  |

### TMAEW12500PRCR Line Pull & Cable Capacity

| Layer of Cable | 1         | 2     | 3    | 4    |
|----------------|-----------|-------|------|------|
| Rated Line     | Lbs 12500 | 10700 | 9575 | 8800 |
| Pull per Layer | Kg 5665   | 4850  | 4340 | 3790 |
| Cumulative     | Ft 16     | 42    | 72   | 94   |
| Cable capacity | m 5       | 12    | 21   | 28   |

ALSO AVAILABLE AS

**24 Volt • TMAEW12500PRCR-24V**

### Line Speed & Amp Draw-First Layer

| Line Pull     | Lbs    | NO         | 2000        | 4000        | 6000        | 8000        | 10000       | 12000      | 12500      |            |
|---------------|--------|------------|-------------|-------------|-------------|-------------|-------------|------------|------------|------------|
|               | Kg     | LOAD       | 906         | 1814        | 2719        | 3630        | 4532        | 5438       | 5665       |            |
| Line Speed    | ft/min | 12V        | 23.5        | 12.6        | 10.3        | 8.9         | 7.5         | 6.5        | 5.3        | 4.5        |
|               | ft/min | <b>24V</b> | <b>26.4</b> | <b>15.1</b> | <b>13.3</b> | <b>11.2</b> | <b>10.0</b> | <b>8.6</b> | <b>7.5</b> | <b>7.1</b> |
|               | m/min  | 12V        | 7.2         | 3.8         | 3.1         | 2.7         | 2.3         | 2.0        | 1.6        | 1.4        |
|               | m/min  | <b>24V</b> | <b>8.1</b>  | <b>4.6</b>  | <b>4.0</b>  | <b>3.4</b>  | <b>3.1</b>  | <b>2.6</b> | <b>2.3</b> | <b>2.2</b> |
| Motor Current | Amps   | 12V        | 70          | 125         | 165         | 215         | 270         | 330        | 390        | 405        |
|               | Amps   | <b>24V</b> | <b>45</b>   | <b>80</b>   | <b>105</b>  | <b>135</b>  | <b>155</b>  | <b>185</b> | <b>210</b> | <b>215</b> |