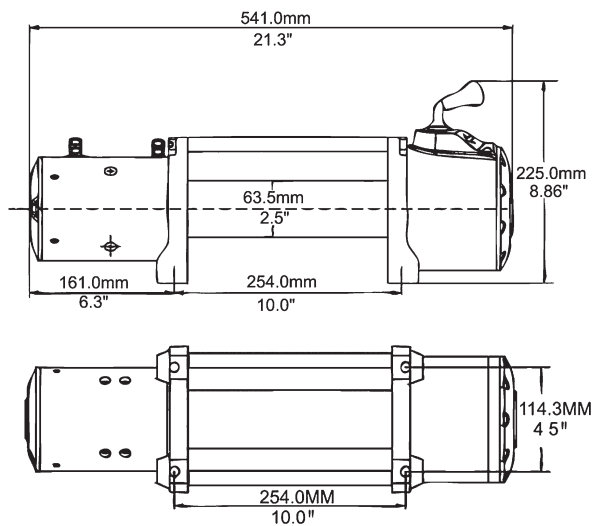


11000LB 12V ELECTRIC WINCH SPOOLED WITH **WIRE CABLE**

**Wireless
Remote
Control
Model**



**OUTBACK
SERIES**



TMAEW11000CR Features & Specifications:

Rated Line Pull	11000Lb (4985Kg) Single Line
Motor	6.6Hp 12V Series Wound; 6Hp 24V Series Wound
Control	Wireless Remote Multi-Control
Gear Train	3 Stage Planetary
Gear Ratio	218:1
Clutch	Sliding Ring Gear
Braking	Automatic In-The-Drum
Drum Size	Diameter x Length 2.52" x 8.82" (64mm x 224mm)
Wire Cable	Diameter x Length 23/64" x 94' (9.2mm x 28.5m)
Recommended Battery	650CCA Minimum for Winching
Battery Leads	25mm ² , 72" (1.83m)
Weight	95Lb (43kg)
Overall Dimensions	(LxWxH) 21.3" x 6.3" x 8.6" (541 x 160 x 218mm)
Mounting Bolt Pattern	10.00±0.0151N x 4.50±0.01N (254 x 114.3mm)
Fairlead	4-Way Roller Fairlead
Finish	Gun Metal Grey

TMAEW11000CR Line Pull & Cable Capacity

Layer of Cable	1	2	3	4
Rated Line	Lbs 11000	9500	8490	7800
Pull per Layer	Kg 4985	4305	3850	3535
Cumulative	Ft 16	42	72	94
Cable capacity	m 5	12	21	28

Line Speed & Amp Draw-First Layer

Line Pull	Lbs	Kg	Line Speed							
			NO	2000	4000	6000	8000	10000	11000	
Line Speed	ft/min	12V	26.2	13.8	12.5	10.0	7.4	6.8	6.5	
		24V	32.6	17.3	14.3	11.0	9.8	8.7	8.3	
	m/min	12V	8.0	4.2	3.8	3.1	2.3	2.1	2.0	
		24V	9.9	5.3	4.4	3.4	3.0	2.7	2.5	
Motor Current	Amps	12V	70	145	207	270	330	375	400	
	24V	45	80	115	140	165	190	205		

ALSO AVAILABLE AS
24 Volt • TMAEW11000CR-24V