

### 10000LB 12V ELECTRIC WINCH SPOOLED WITH SYNTHETIC ROPE

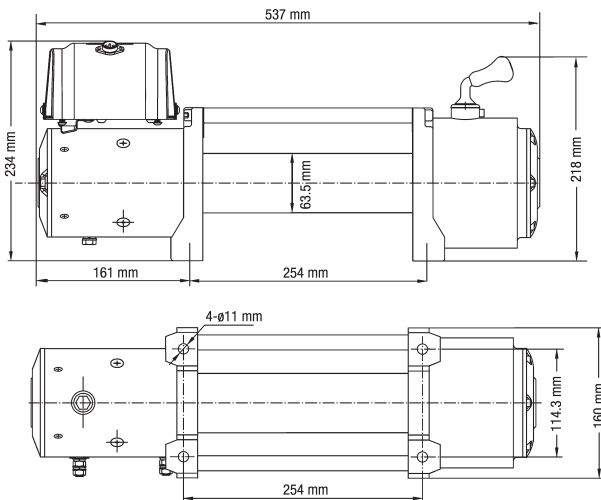
Dyneema<sup>®</sup> SK-75 Fibre



## Performance SERIES

### TMAEW10000PR Features & Specifications:

Rated Line Pull	10000Lb (4545Kg) Single Line
Motor	6.6Hp 12V Series Wound; 6Hp 24V Series Wound
Control	Remote Switch, 12' Lead (3.7m)
Gear Train	3 Stage Planetary
Gear Ratio	218:1
Clutch	Sliding Ring Gear
Braking	Automatic In-The-Drum
Drum Size	Diameter x Length 2.52" x 8.82" (64mm x 224mm)
Synthetic Rope	Dyneema <sup>®</sup> SK-75 Fibre Diameter x Length 25/64" x 94' (10mm x 28m)
Recommended Battery	650CCA Minimum for Winching
Battery Leads	25mm <sup>2</sup> , 72" (1.83m)
Weight	62.8Lb (28.5kg)
Overall Dimensions	(LxWxH) 21.15" x 6.3" x 8.6" (537 x 160 x 218mm)
Mounting Bolt Pattern	10.00±0.0151N x 4.50±0.01N (254 x 114.3mm)
Fairlead	Aluminium Hawse Fairlead
Finish	Gun Metal Grey



### TMAEW10000PR Line Pull & Cable Capacity

Layer of Cable	1	2	3	4
Rated Line	Lbs 10000	8435	7640	7086
Pull per Layer	Kg 4545	3822	3462	3212
Cumulative	Ft 16	42	72	94
Cable capacity	m 5	12	21	28

ALSO AVAILABLE AS

**24 Volt • TMAEW10000PR-24V**

### Line Speed & Amp Draw-First Layer

Line Pull	Lbs	NO	2000	4000	6000	8000	10000	
	Kg	LOAD	906	1813	2719	3626	4545	
Line Speed	ft/min	12V	29.5	14.4	12.1	10.1	9.0	7.5
	ft/min	<b>24V</b>	<b>41.7</b>	<b>20.5</b>	<b>15.4</b>	<b>14.0</b>	<b>12.1</b>	<b>10.2</b>
	m/min	12V	9.0	4.4	3.7	3.1	2.7	2.3
	m/min	<b>24V</b>	<b>12.7</b>	<b>6.3</b>	<b>4.7</b>	<b>4.3</b>	<b>3.7</b>	<b>3.1</b>
Motor Current	Amps	12V	70	170	235	300	365	405
	Amps	<b>24V</b>	<b>50</b>	<b>85</b>	<b>120</b>	<b>140</b>	<b>174</b>	<b>200</b>